

4

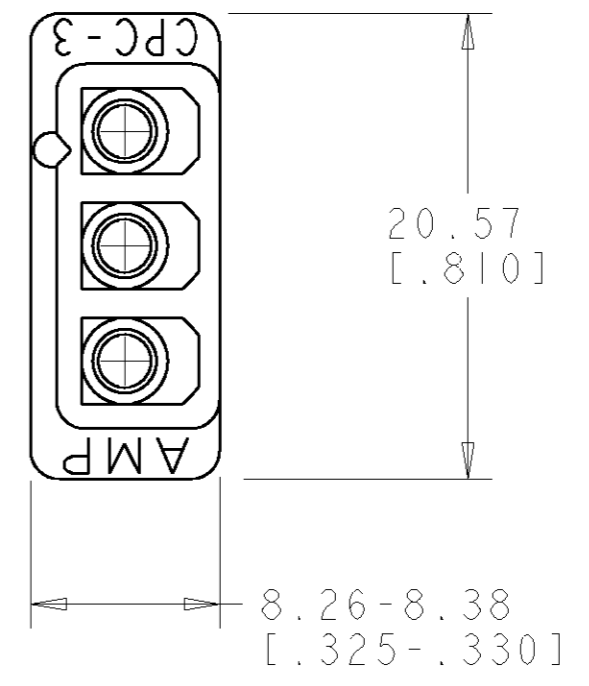
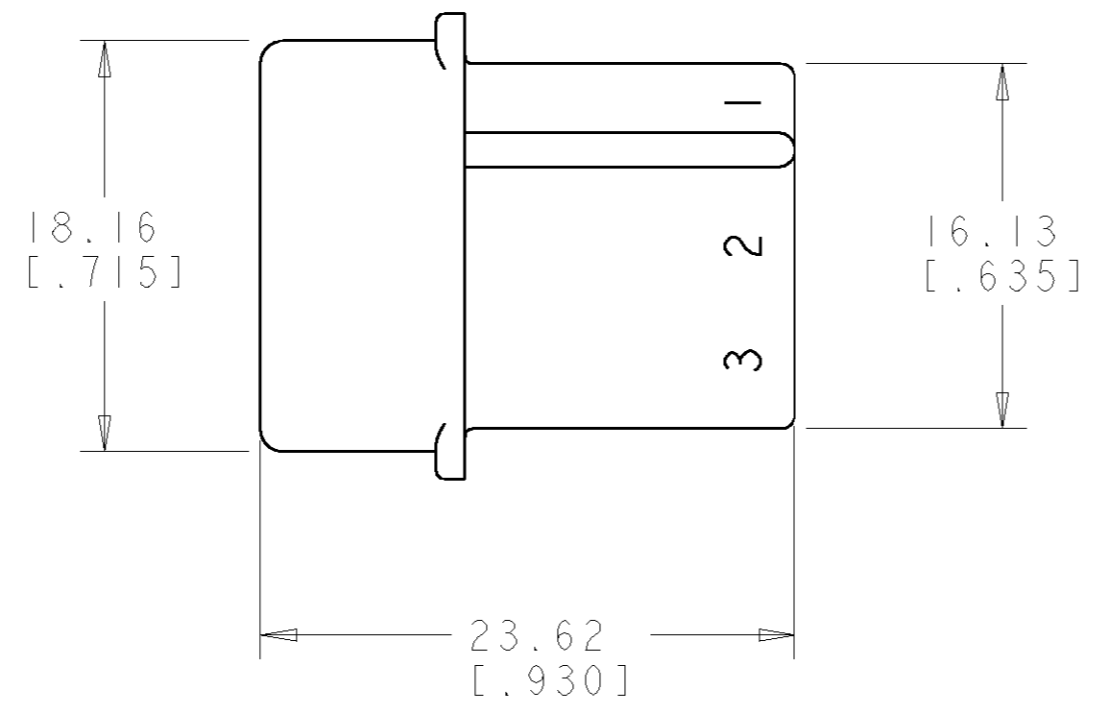
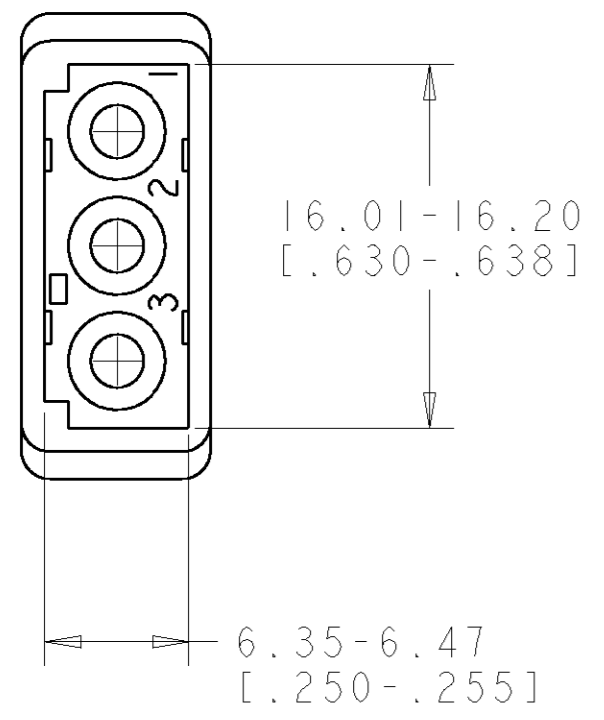
3

2

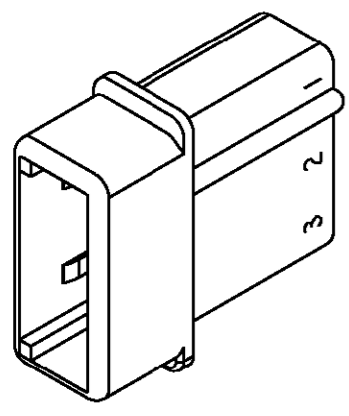
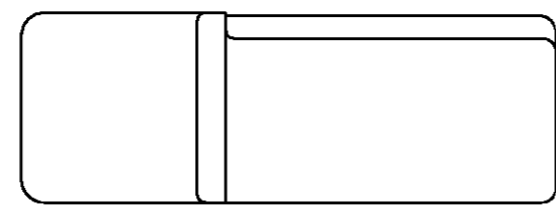
1

THIS DRAWING IS UNPUBLISHED. RELEASED FOR PUBLICATION 20
 © COPYRIGHT 20 BY TYCO ELECTRONICS CORPORATION. ALL RIGHTS RESERVED.

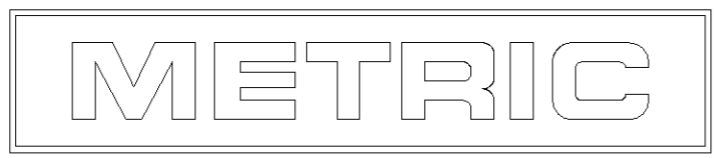
LOC	DIST	REVISIONS			
P	LTR	DESCRIPTION	DATE	DWN	APVD
CM	00	D	REVISED PER 0G3B-0341-02	15-APR-03	KW DC



1. MATES WITH HOUSING 480388.



SCALE 2:1



1-480387-0
PART NUMBER

<small>THIS DRAWING IS A CONTROLLED DOCUMENT FOR TYCO ELECTRONICS CORPORATION. IT IS SUBJECT TO CHANGE AND THE CONTROLLING ENGINEERING ORGANIZATION SHOULD BE CONTACTED FOR THE LATEST REVISION.</small>		DWN	15-APR-2003	Tyco Electronics Harrisburg, PA 17105-3608	NAME CAP, COMMERCIAL MATE-N-LOK™ 3 CIRCUIT
DIMENSIONS: mm [INCHES]		CHK	15-APR-2003		
		APVD	15-APR-2003		
TOLERANCES UNLESS OTHERWISE SPECIFIED: 0 PLC ±- 1 PLC ±- 2 PLC ±0.13 [.005] 3 PLC ±- 4 PLC ±- ANGLES ±0°30'		PRODUCT SPEC	-		
MATERIAL NYLON, UL94V-2, BLACK WEATHER RESISTANT		FINISH	-	APPLICATION SPEC	-
		WEIGHT	-	SIZE	A3
		CUSTOMER DRAWING		CAGE CODE	00779
				DRAWING NO	C-480387
				RESTRICTED TO	-
				SCALE	3:1
				SHEET	1 OF 1
				REV	D